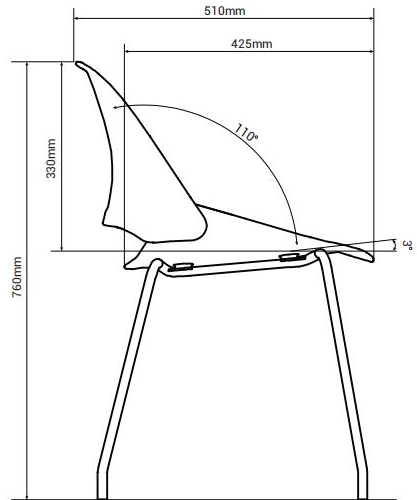
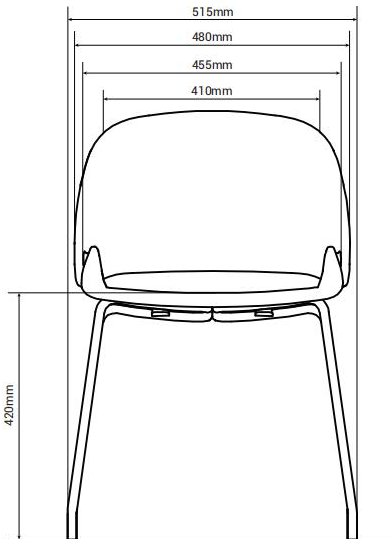


Chair Specification | DUCKY CDK10GS

Overall Depth	Overall Width	Overall Height	Seat Depth	Functional Seat Depth	Seat Width	Seat Height from Floor	Ring Height from Floor	Back Width (Max and Min)
510mm	515mm	760mm	425mm	435mm	455mm	420mm	/	480/410mm

Back Height from Seat	Back Lumbar Height	Lumbar Adjustment Range	Width Between Arms	Arm to Floor	Arm Height from Seat	Seat Pan Angle	Back Recline Angle
330mm	/	/	/	/	/	3°	110°



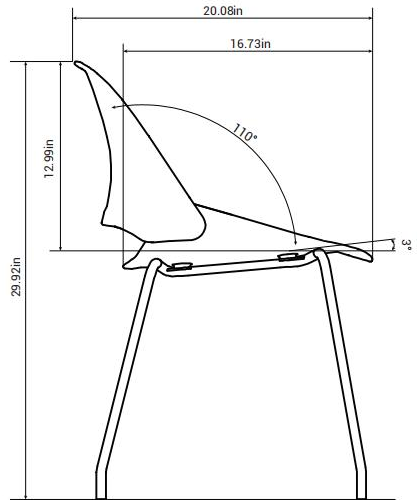
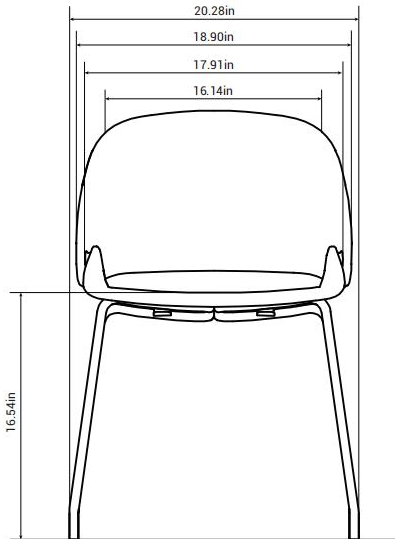
Remark: Seat height from floor, back height from seat and arm height from seat are measured when there is no load on the chair.



Chair Specification | DUCKY CDK10GS

Overall Depth	Overall Width	Overall Height	Seat Depth	Functional Seat Depth	Seat Width	Seat Height from Floor	Ring Height from Floor	Back Width (Max and Min)
20.08in	20.28 in	29.92 in	16.73 in	17.13in	17.91in	16.54in	/	18.90/16.14in

Back Height from Seat	Back Lumbar Height	Lumbar Adjustment Range	Width Between Arms	Arm to Floor	Arm Height from Seat	Seat Pan Angle	Back Recline Angle
12.99in	/	/	/	/	/	3°	110°



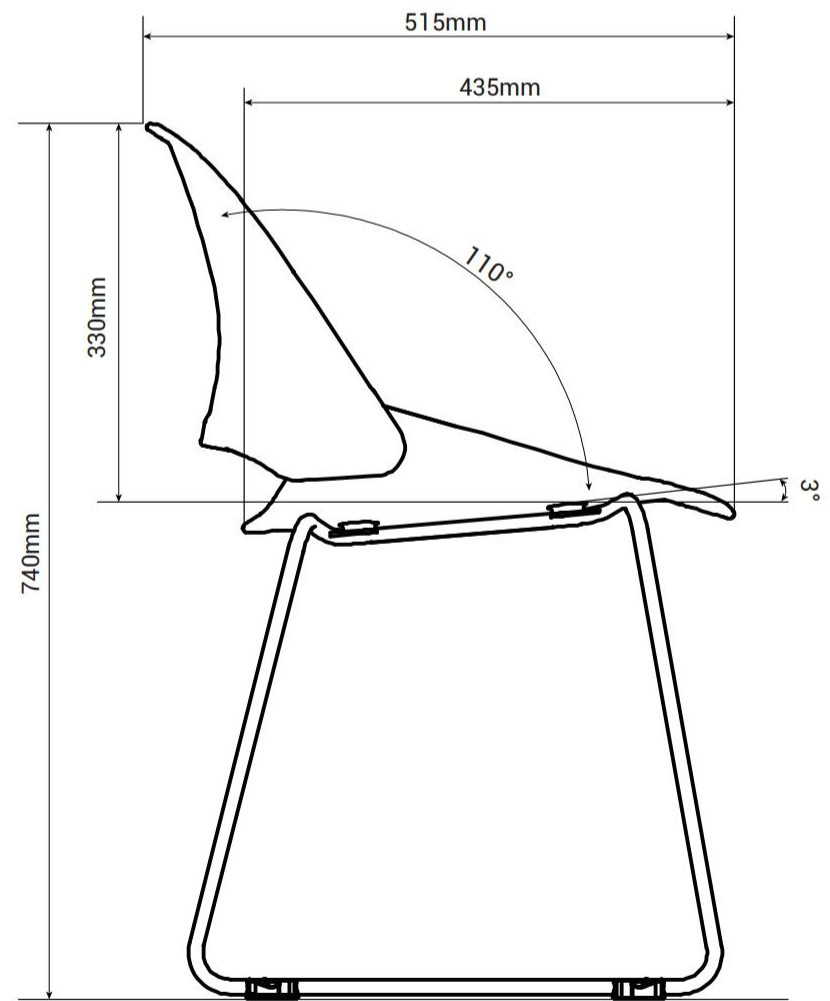
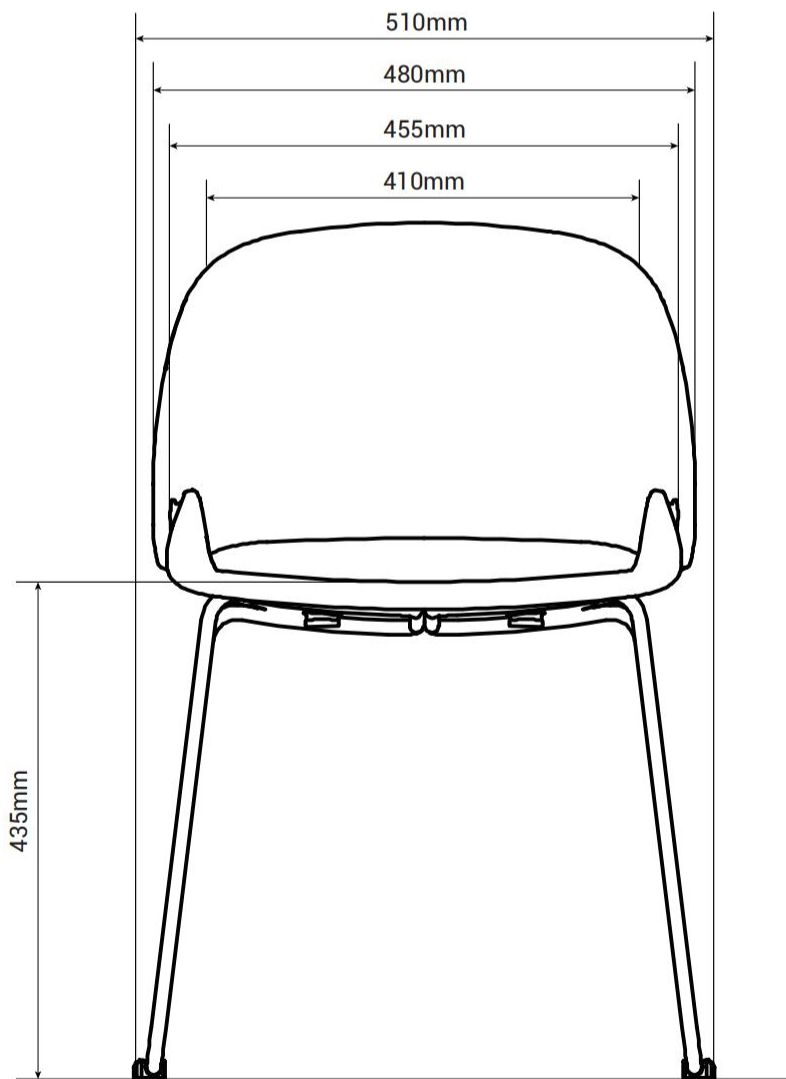
Remark: Seat height from floor, back height from seat and arm height from seat are measured when there is no load on the chair.



Chair Specification | DUCKY CDK12GS

Overall Depth	Overall Width	Overall Height	Seat Depth	Functional Seat Depth	Seat Width	Seat Height from Floor	Ring Height from Floor	Back Width (Max and Min)
515mm	510mm	740mm	425mm	435mm	455mm	435mm	/	480/410mm

Back Height from Seat	Back Lumbar Height	Lumbar Adjustment Range	Width Between Arms	Arm to Floor	Arm Height from Seat	Seat Pan Angle	Back Recline Angle
330mm	/	/	/	/	/	3°	110°



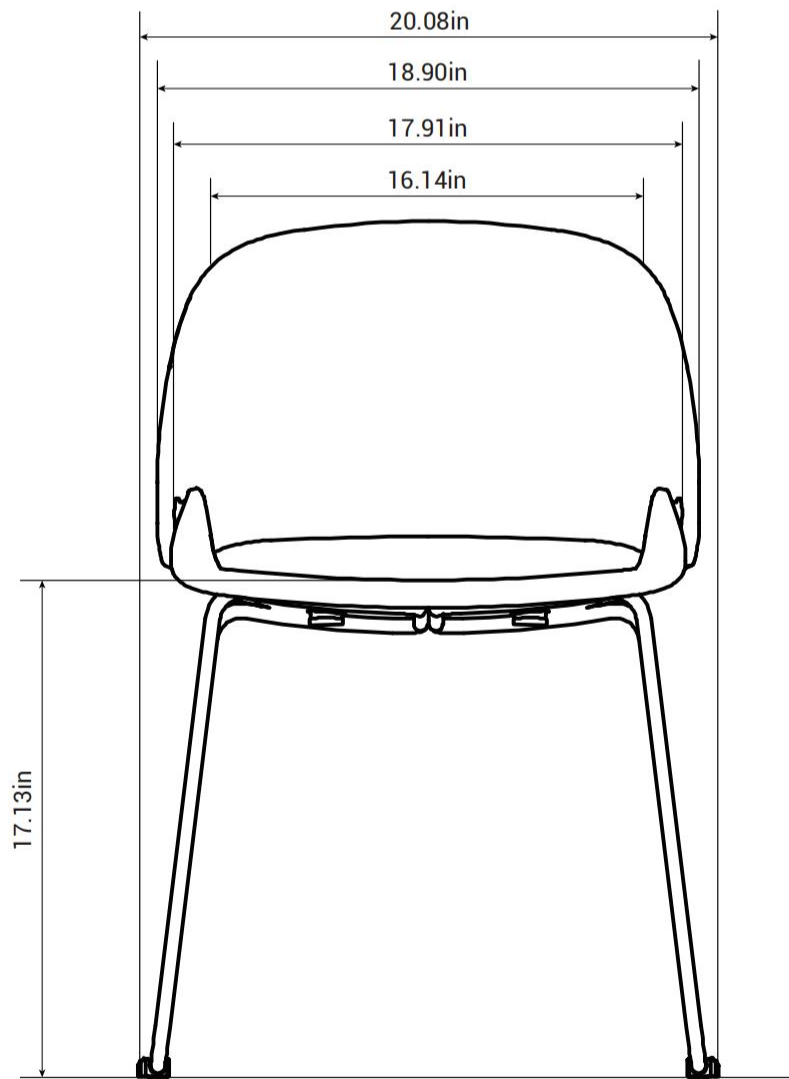
Remark: Seat height from floor, back height from seat and arm height from seat are measured when there is no load on the chair.



Chair Specification | DUCKY CDK12GS

Overall Depth	Overall Width	Overall Height	Seat Depth	Functional Seat Depth	Seat Width	Seat Height from Floor	Ring Height from Floor	Back Width (Max and Min)
20.28in	20.08 in	29.13 in	16.73 in	17.13in	17.91in	17.13in	/	18.90/16.14in

Back Height from Seat	Back Lumbar Height	Lumbar Adjustment Range	Width Between Arms	Arm to Floor	Arm Height from Seat	Seat Pan Angle	Back Recline Angle
12.99in	/	/	/	/	/	3°	110°



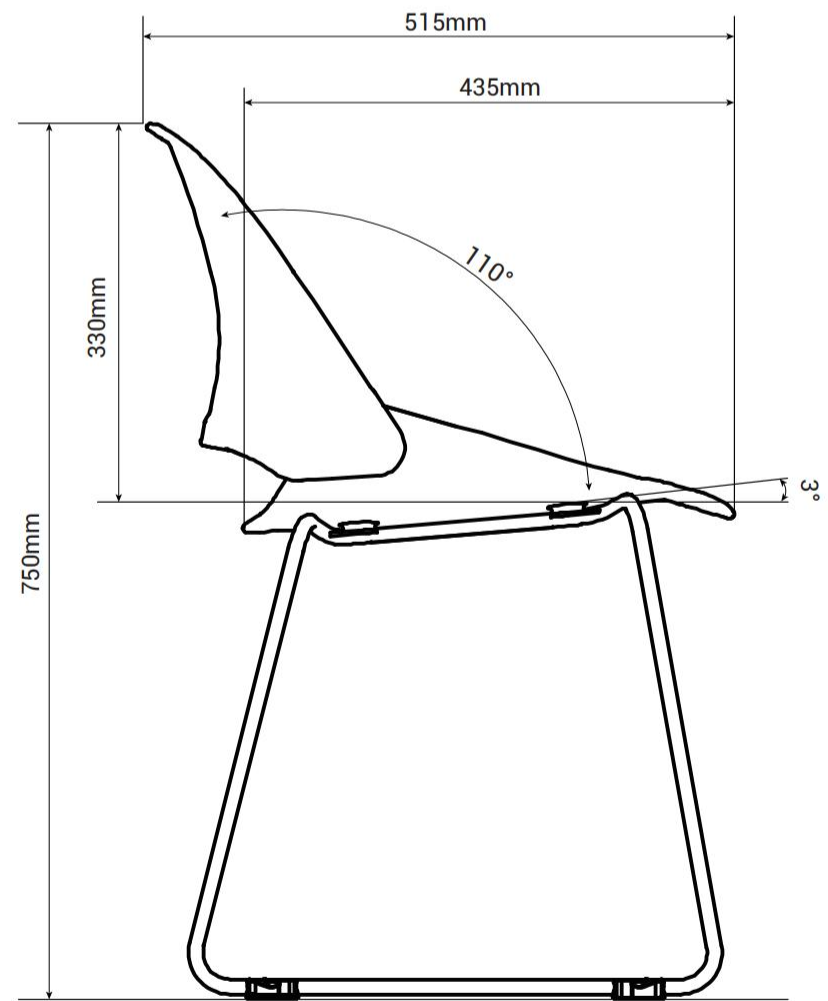
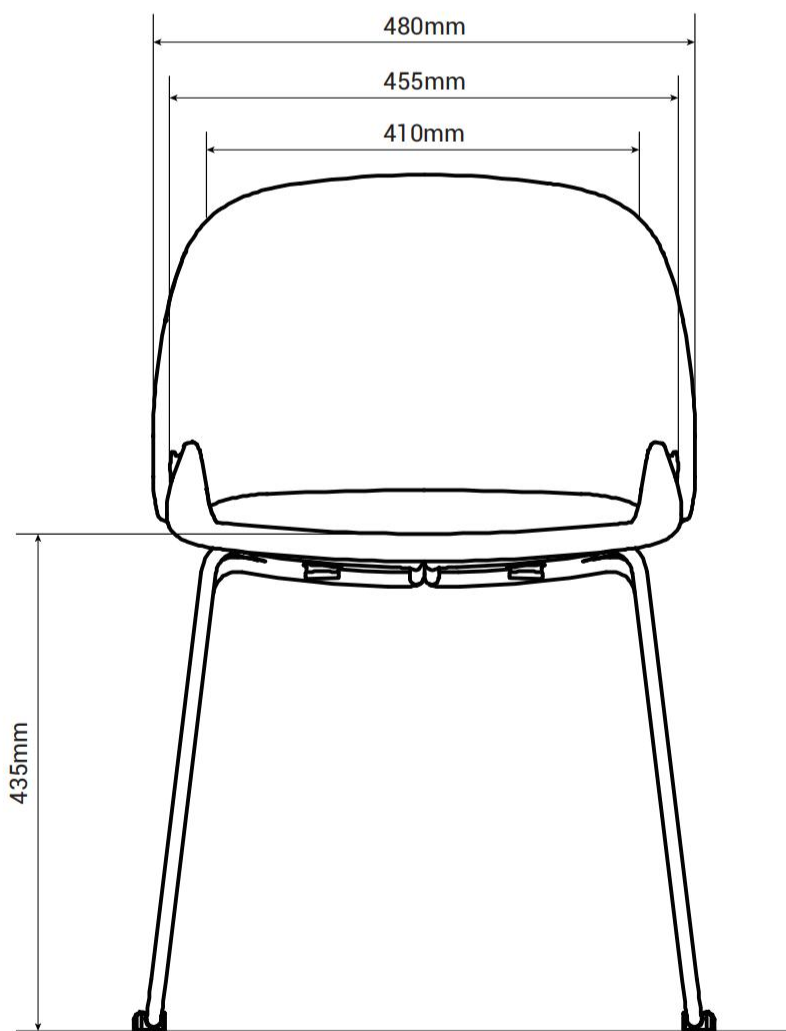
Remark: Seat height from floor, back height from seat and arm height from seat are measured when there is no load on the chair.



Chair Specification | DUCKY CDK14GS

Overall Depth	Overall Width	Overall Height	Seat Depth	Functional Seat Depth	Seat Width	Seat Height from Floor	Ring Height from Floor	Back Width (Max and Min)
515mm	480mm	750mm	425mm	435mm	455mm	435mm	/	480/410mm

Back Height from Seat	Back Lumbar Height	Lumbar Adjustment Range	Width Between Arms	Arm to Floor	Arm Height from Seat	Seat Pan Angle	Back Recline Angle
330mm	/	/	/	/	/	3°	110°



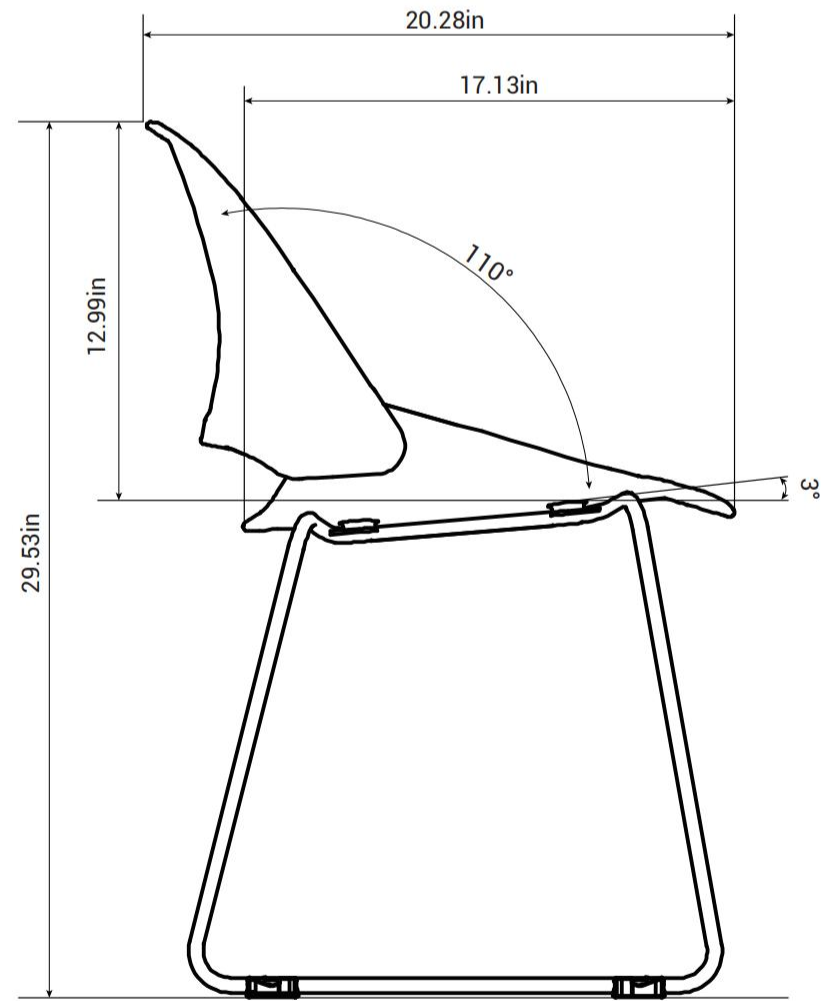
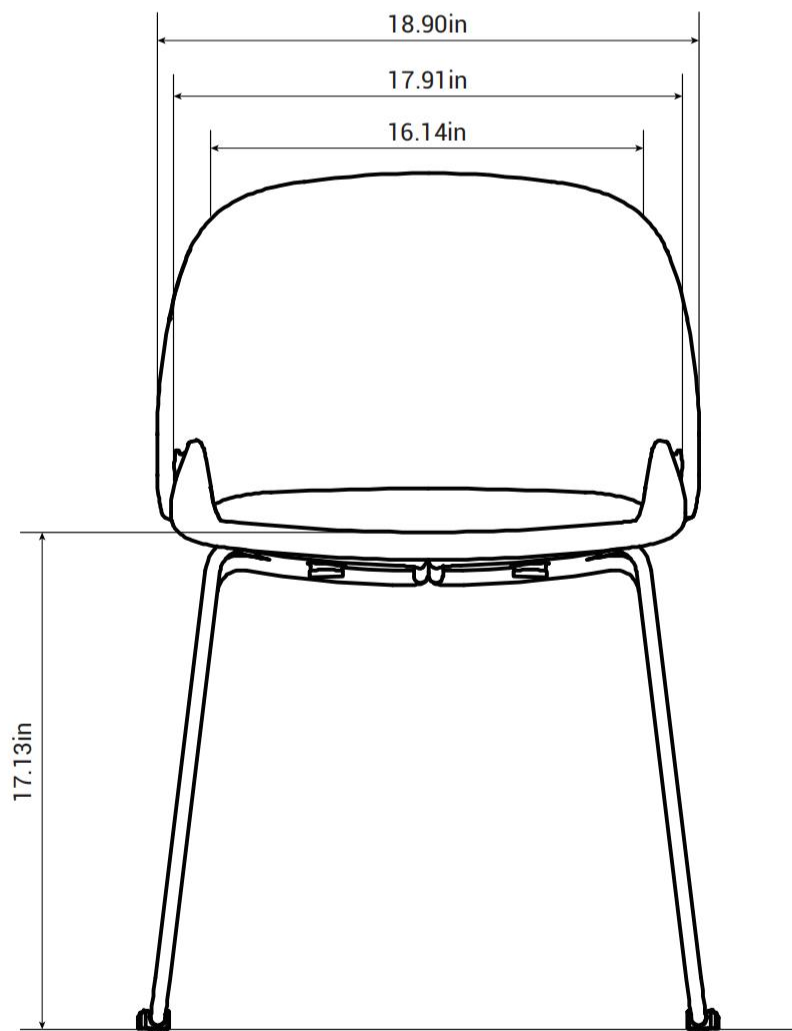
Remark: Seat height from floor, back height from seat and arm height from seat are measured when there is no load on the chair.



Chair Specification | DUCKY CDK14GS

Overall Depth	Overall Width	Overall Height	Seat Depth	Functional Seat Depth	Seat Width	Seat Height from Floor	Ring Height from Floor	Back Width (Max and Min)
20.28in	18.90 in	29.53in	16.73 in	17.13in	17.91in	17.13in	/	18.90/16.14in

Back Height from Seat	Back Lumbar Height	Lumbar Adjustment Range	Width Between Arms	Arm to Floor	Arm Height from Seat	Seat Pan Angle	Back Recline Angle
12.99in	/	/	/	/	/	3°	110°



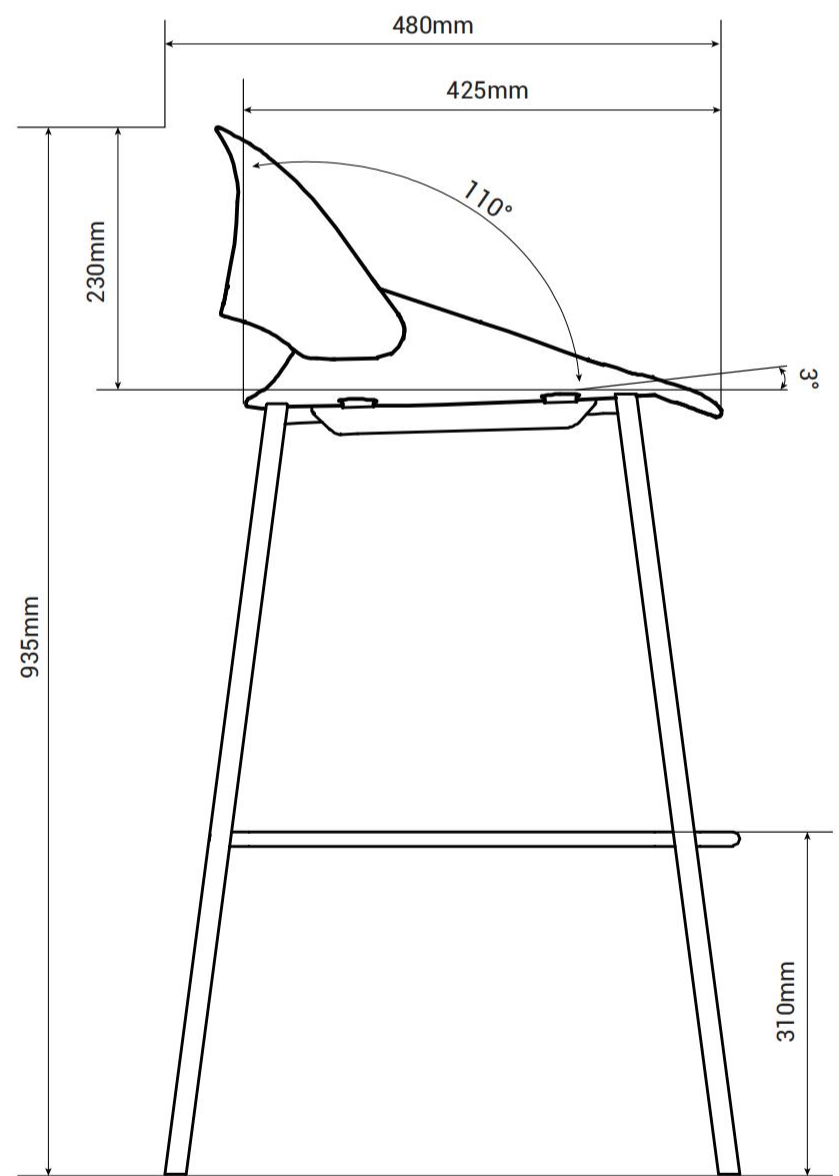
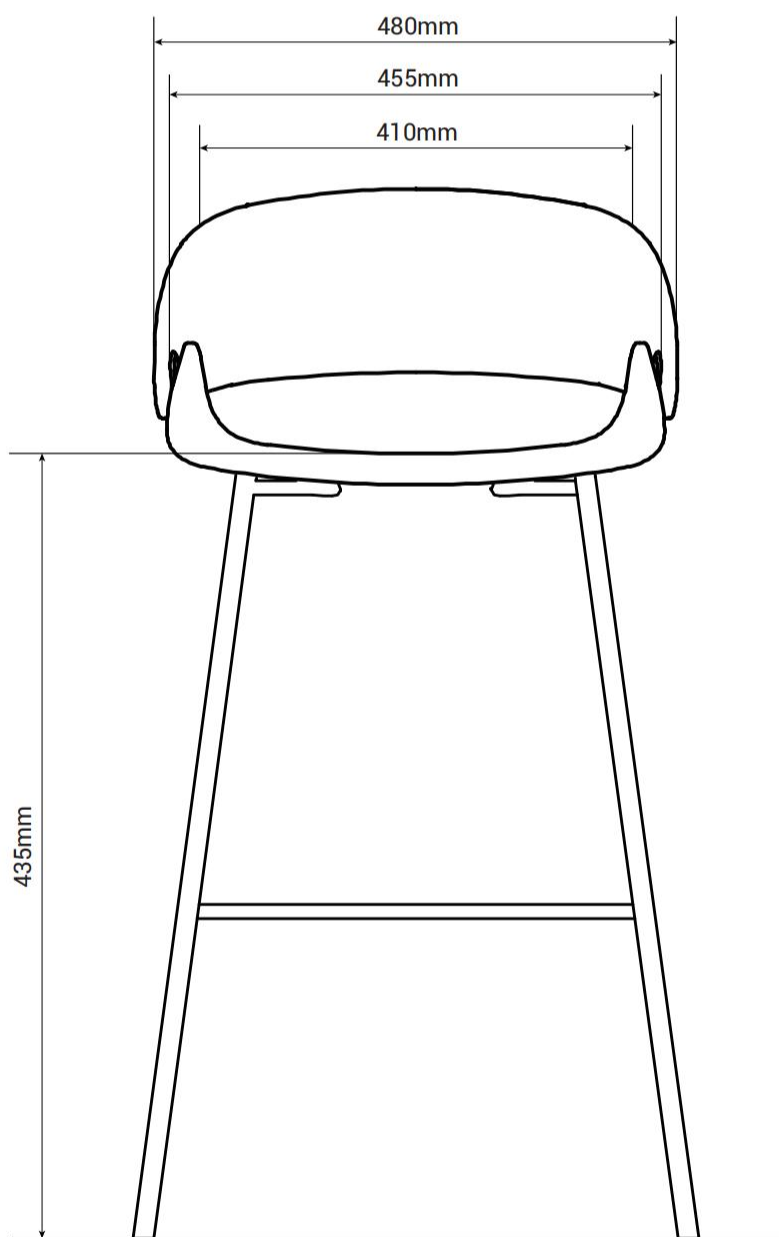
Remark: Seat height from floor, back height from seat and arm height from seat are measured when there is no load on the chair.



Chair Specification | DUCKY CDK19GS

Overall Depth	Overall Width	Overall Height	Seat Depth	Functional Seat Depth	Seat Width	Seat Height from Floor	Ring Height from Floor	Back Width (Max and Min)
480mm	480mm	935mm	425mm	435mm	455mm	435mm	310mm	480/410mm

Back Height from Seat	Back Lumbar Height	Lumbar Adjustment Range	Width Between Arms	Arm to Floor	Arm Height from Seat	Seat Pan Angle	Back Recline Angle
230mm	/	/	/	/	/	3°	110°



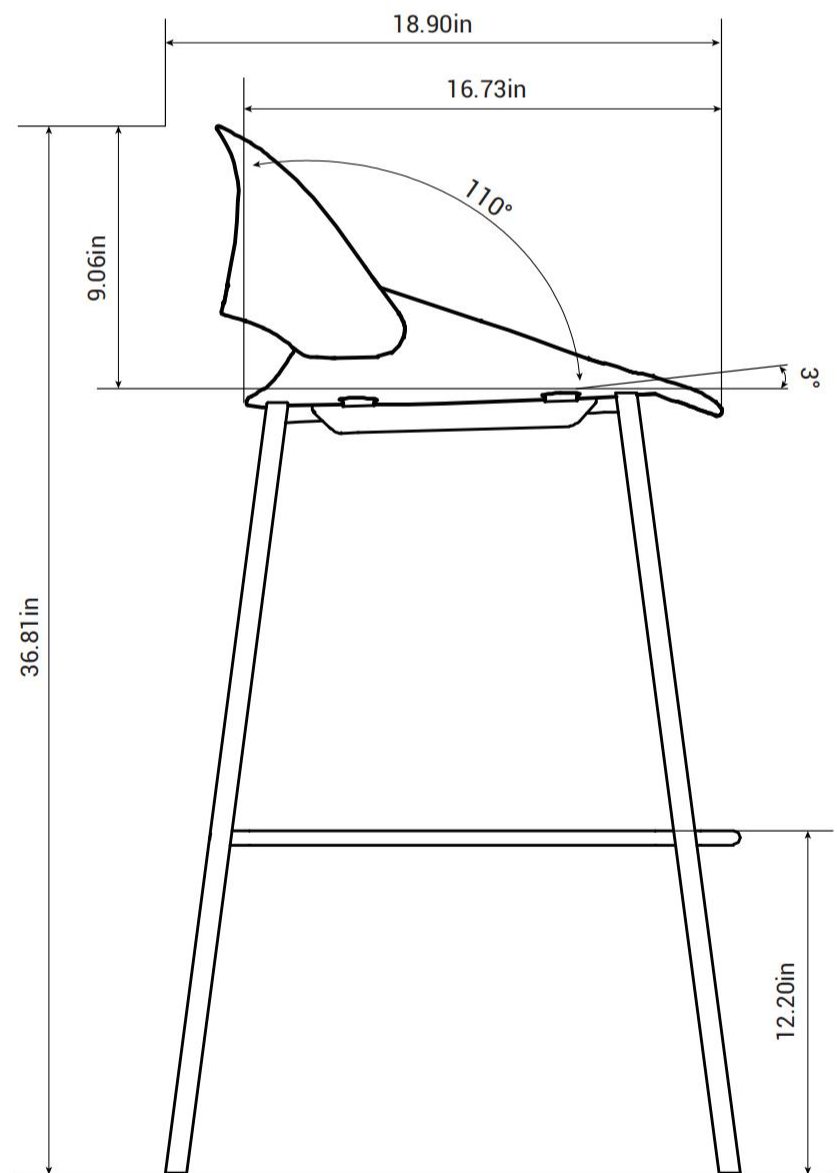
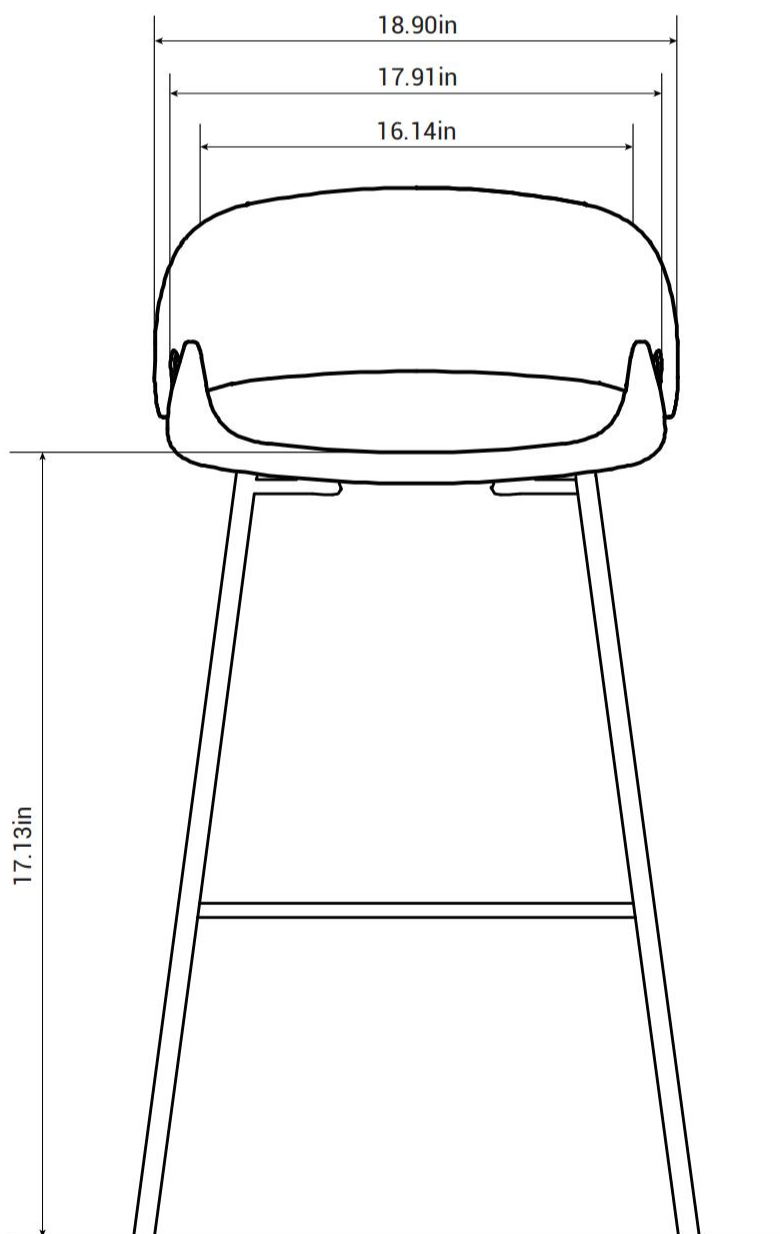
Remark: Seat height from floor, back height from seat and arm height from seat are measured when there is no load on the chair.



Chair Specification | DUCKY CDK19GS

Overall Depth	Overall Width	Overall Height	Seat Depth	Functional Seat Depth	Seat Width	Seat Height from Floor	Ring Height from Floor	Back Width (Max and Min)
18.90in	18.90 in	36.81in	16.73 in	17.13in	17.91in	28.74in	12.20in	18.90/16.14in

Back Height from Seat	Back Lumbar Height	Lumbar Adjustment Range	Width Between Arms	Arm to Floor	Arm Height from Seat	Seat Pan Angle	Back Recline Angle
9.06in	/	/	/	/	/	3°	110°



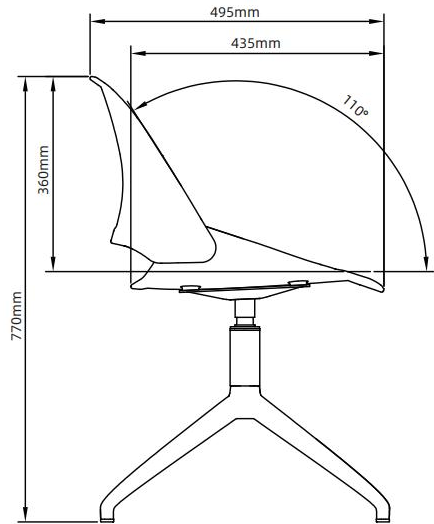
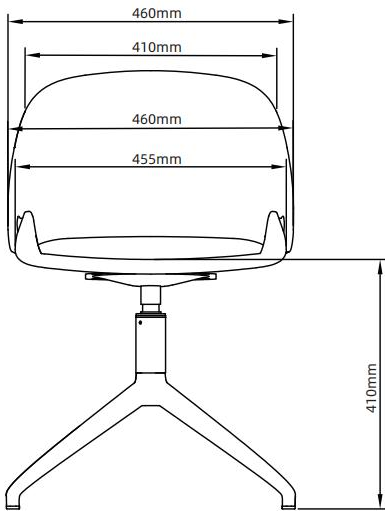
Remark: Seat height from floor, back height from seat and arm height from seat are measured when there is no load on the chair.



Chair Specification | DUCKY CDK15GS

Overall Depth	Overall Width	Overall Height	Seat Depth	Functional Seat Depth	Seat Width	Seat Height from Floor	Ring Height from Floor	Back Width (Max and Min)
495mm	460mm	770mm	425mm	435mm	455mm	410mm	/	410mm/460mm

Back Height from Seat	Back Lumbar Height	Lumbar Adjustment Range	Width Between Arms	Arm to Floor	Arm Height from Seat	Seat Pan Angle	Back Recline Angle
350mm	/	/	/	/	/	3°	110°



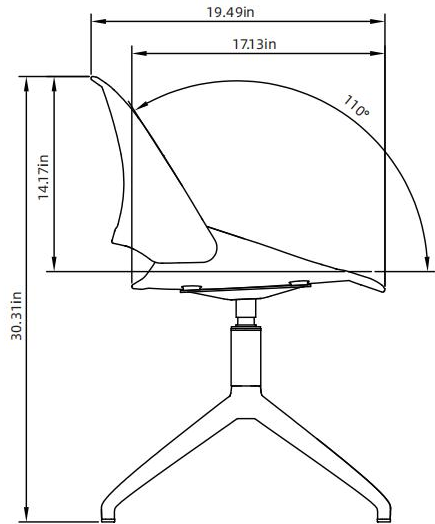
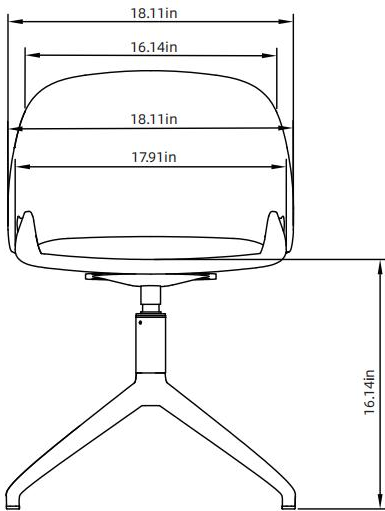
Remark: Seat height from floor, back height from seat and arm height from seat are measured when there is no load on the chair.



Chair Specification | DUCKY CDK15GS

Overall Depth	Overall Width	Overall Height	Seat Depth	Functional Seat Depth	Seat Width	Seat Height from Floor	Ring Height from Floor	Back Width (Max and Min)
19.49in	18.11in	30.31in	16.73in	17.13in	17.91in	16.14in	/	16.14in/18.11in

Back Height from Seat	Back Lumbar Height	Lumbar Adjustment Range	Width Between Arms	Arm to Floor	Arm Height from Seat	Seat Pan Angle	Back Recline Angle
14.17in	/	/	/	/	/	3°	110°



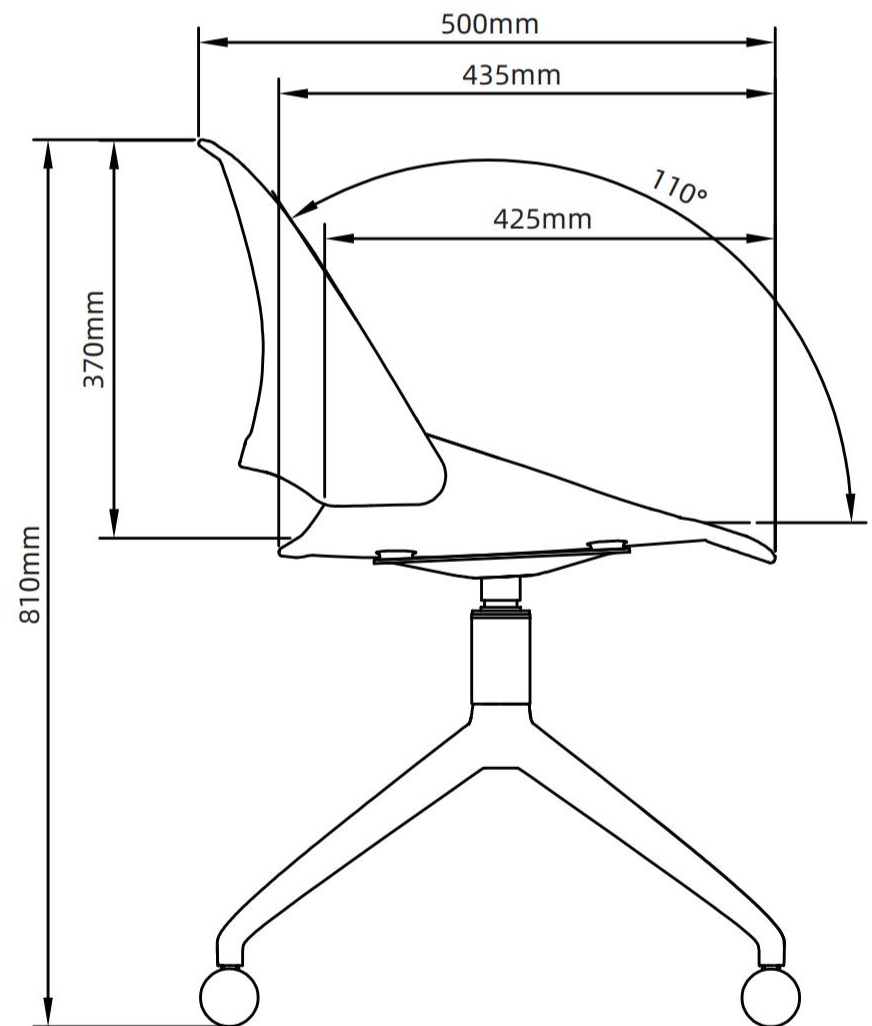
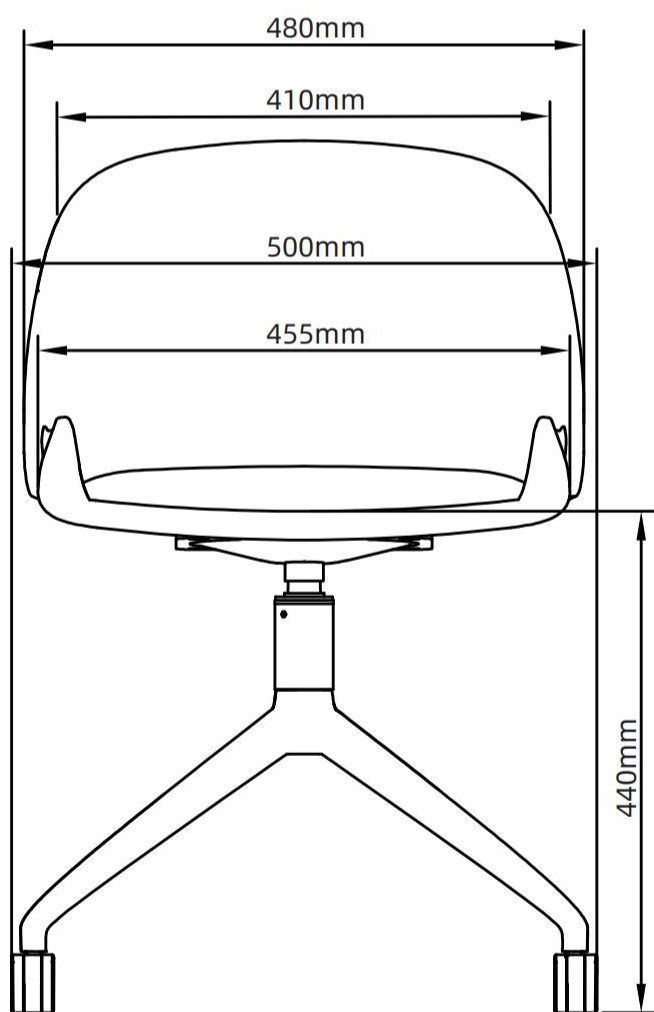
Remark: Seat height from floor, back height from seat and arm height from seat are measured when there is no load on the chair.



Chair Specification | DUCKY CDK16GS

Overall Depth	Overall Width	Overall Height	Seat Depth	Functional Seat Depth	Seat Width	Seat Height from Floor	Ring Height from Floor	Back Width (Max and Min)
500mm	480mm	810mm	425mm	435mm	455mm	440mm	/	410mm/480mm

Back Height from Seat	Back Lumbar Height	Lumbar Adjustment Range	Width Between Arms	Arm to Floor	Arm Height from Seat	Seat Pan Angle	Back Recline Angle
370mm	/	/	/	/	/	3°	110°



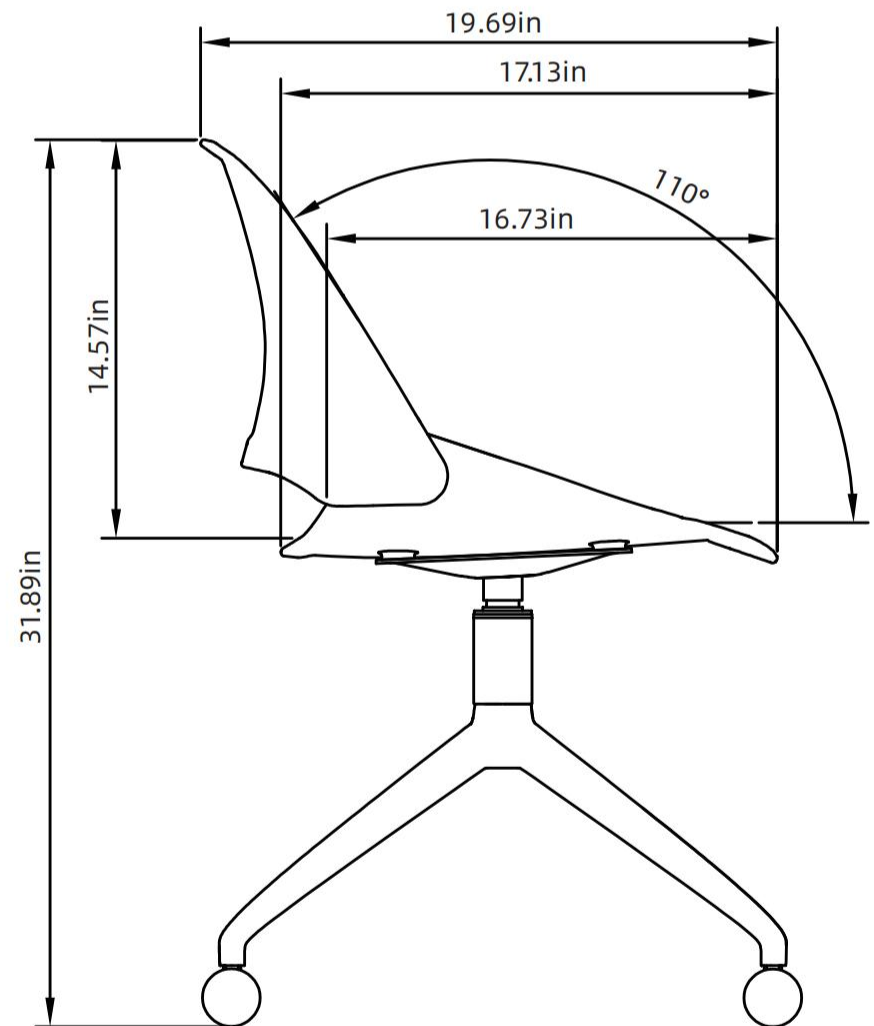
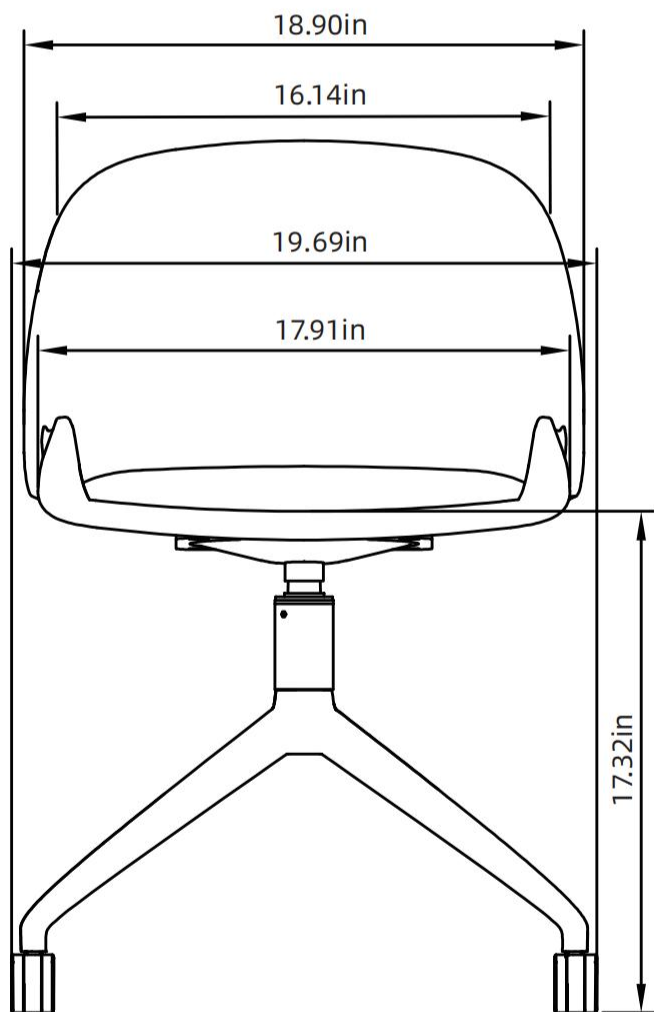
Remark: Seat height from floor, back height from seat and arm height from seat are measured when there is no load on the chair.



Chair Specification | DUCKY CDK16GS

Overall Depth	Overall Width	Overall Height	Seat Depth	Functional Seat Depth	Seat Width	Seat Height from Floor	Ring Height from Floor	Back Width (Max and Min)
19.69in	18.90in	31.89in	16.73in	17.13in	17.91in	17.32in	/	16.14in/18.90in

Back Height from Seat	Back Lumbar Height	Lumbar Adjustment Range	Width Between Arms	Arm to Floor	Arm Height from Seat	Seat Pan Angle	Back Recline Angle
14.57in	/	/	/	/	/	3°	110°



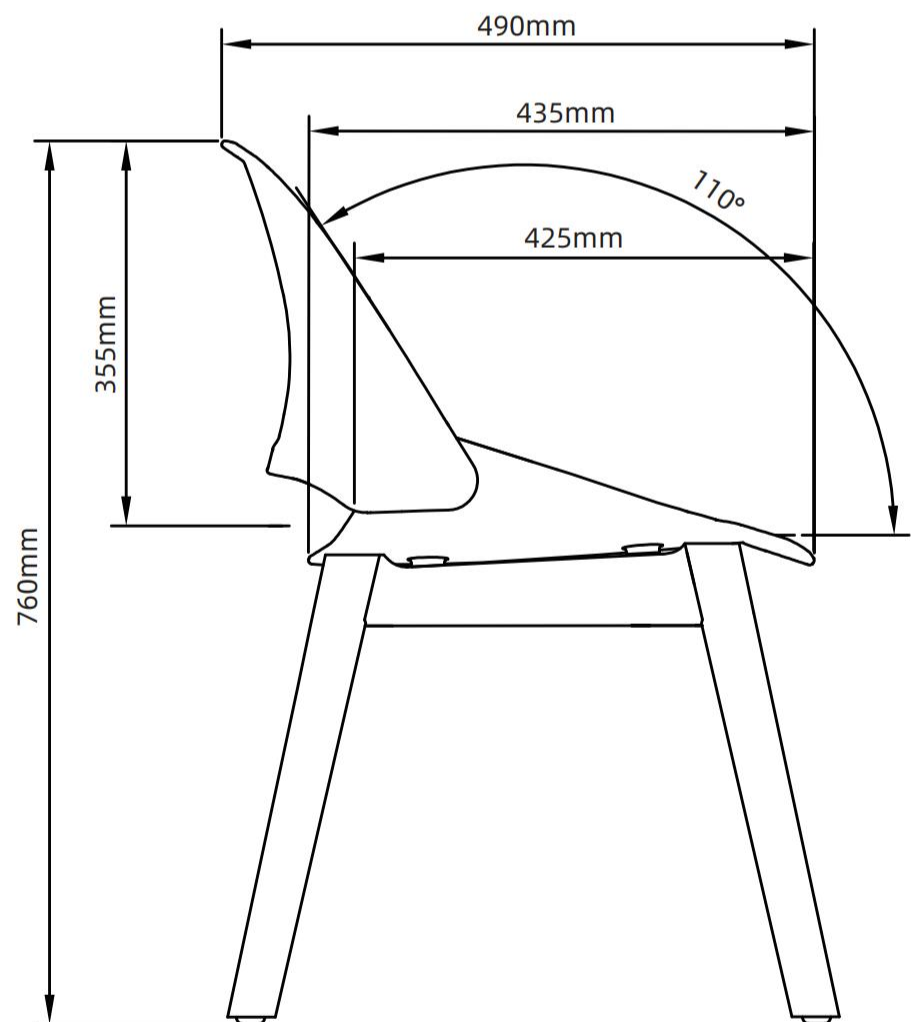
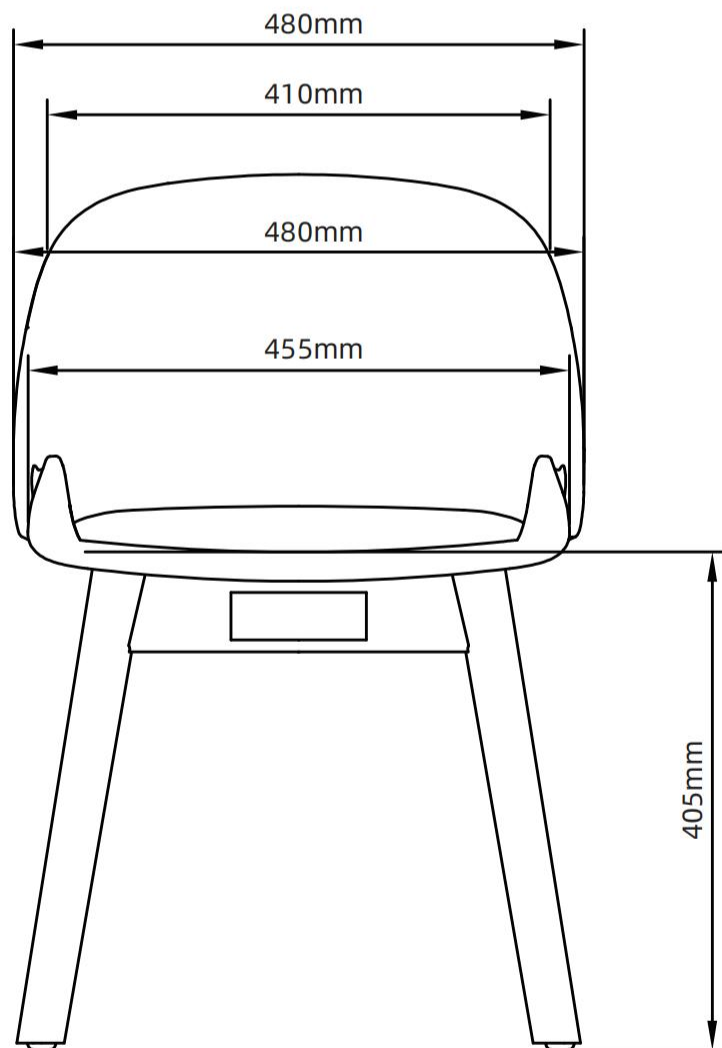
Remark: Seat height from floor, back height from seat and arm height from seat are measured when there is no load on the chair.



Chair Specification | DUCKY CDK17MS

Overall Depth	Overall Width	Overall Height	Seat Depth	Functional Seat Depth	Seat Width	Seat Height from Floor	Ring Height from Floor	Back Width (Max and Min)
490mm	480mm	760mm	425mm	435mm	455mm	405mm	/	410mm/480mm

Back Height from Seat	Back Lumbar Height	Lumbar Adjustment Range	Width Between Arms	Arm to Floor	Arm Height from Seat	Seat Pan Angle	Back Recline Angle
355mm	/	/	/	/	/	3°	110°



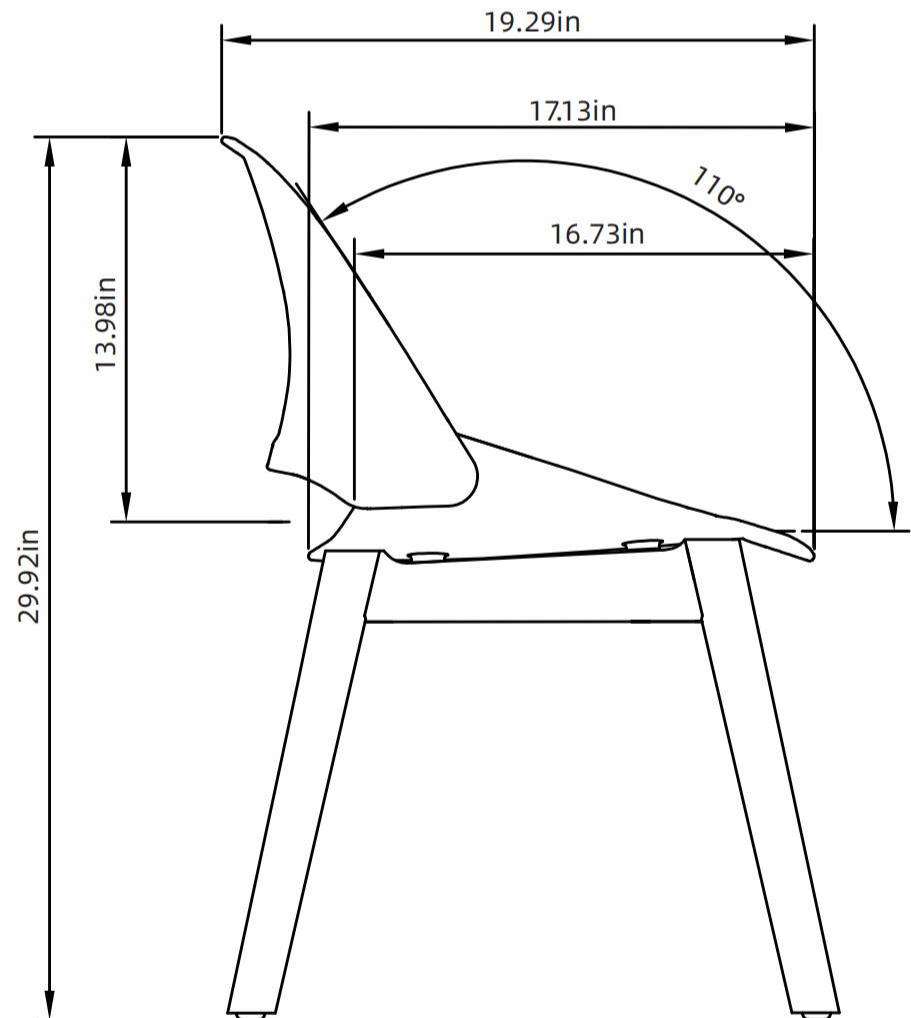
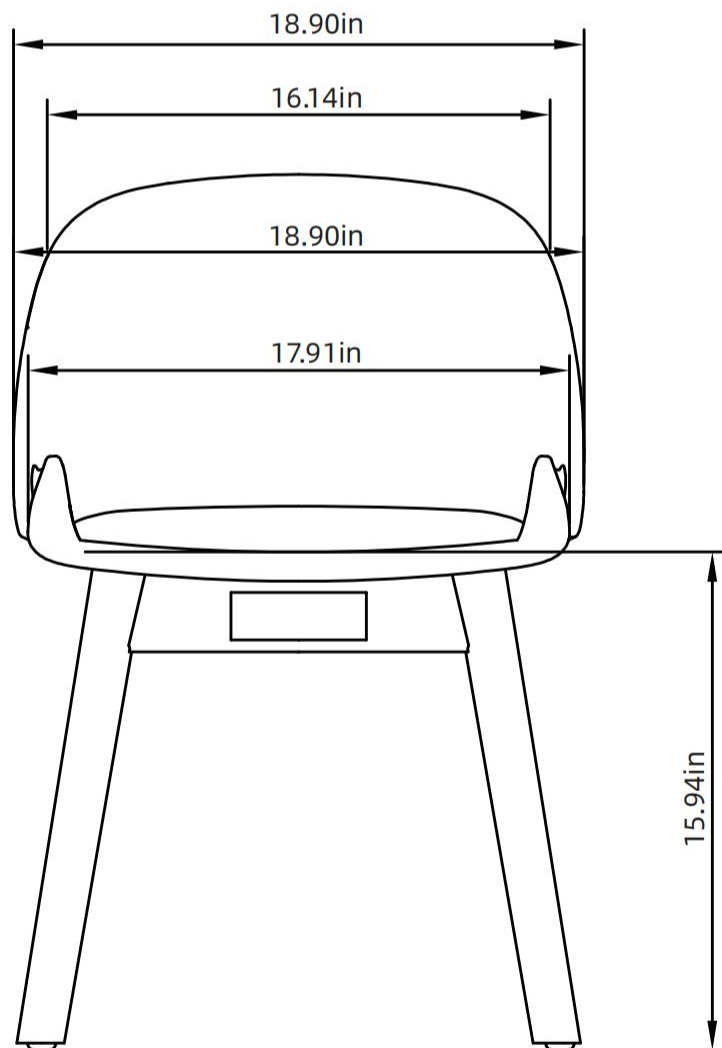
Remark: Seat height from floor, back height from seat and arm height from seat are measured when there is no load on the chair.



Chair Specification | DUCKY CDK17MS

Overall Depth	Overall Width	Overall Height	Seat Depth	Functional Seat Depth	Seat Width	Seat Height from Floor	Ring Height from Floor	Back Width (Max and Min)
19.29in	18.90in	29.92in	16.73in	17.13in	17.91in	15.94in	/	16.14in/18.90in

Back Height from Seat	Back Lumbar Height	Lumbar Adjustment Range	Width Between Arms	Arm to Floor	Arm Height from Seat	Seat Pan Angle	Back Recline Angle
13.98in	/	/	/	/	/	3°	110°



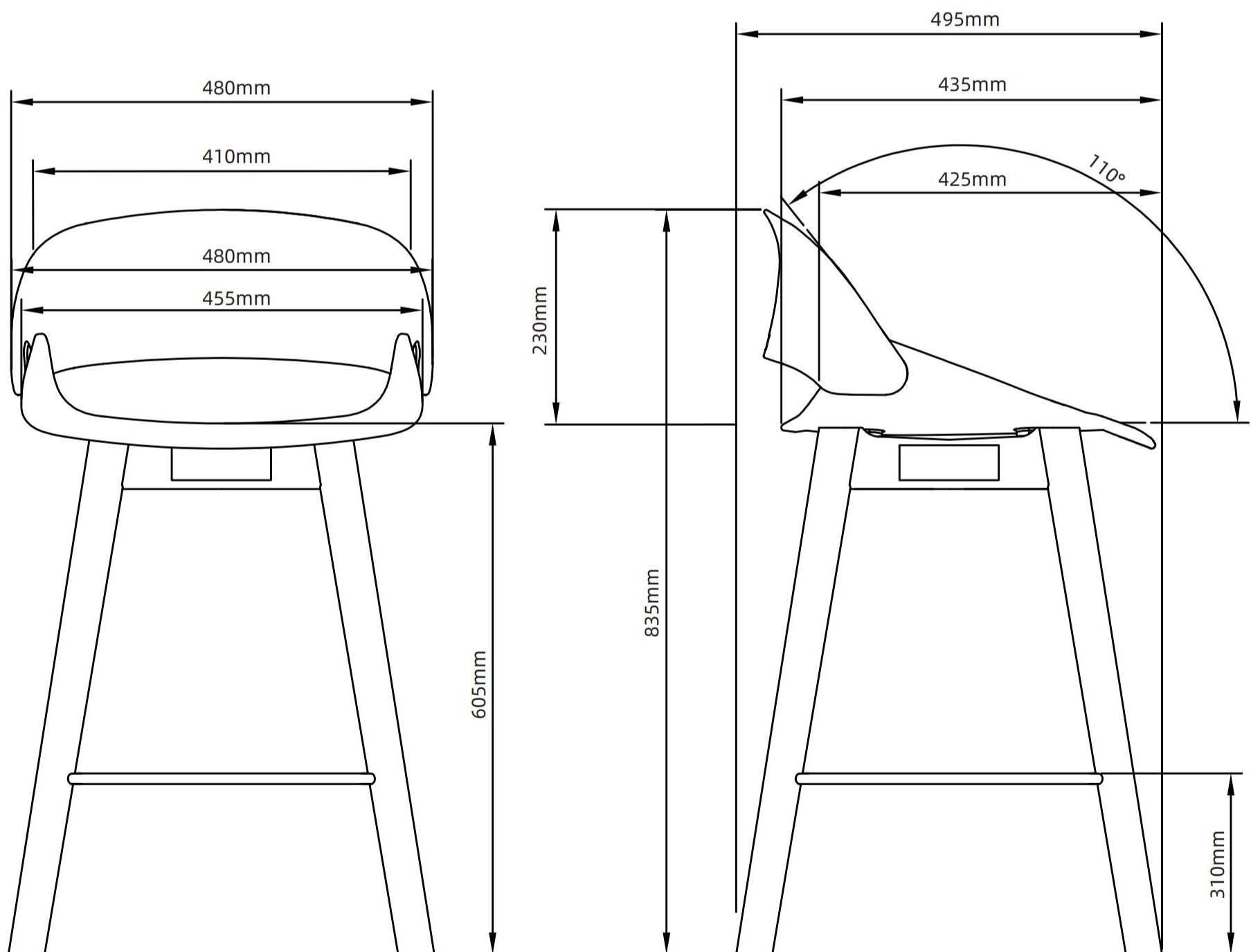
Remark: Seat height from floor, back height from seat and arm height from seat are measured when there is no load on the chair.



Chair Specification | DUCKY CDK50MS

Overall Depth	Overall Width	Overall Height	Seat Depth	Functional Seat Depth	Seat Width	Seat Height from Floor	Ring Height from Floor	Back Width (Max and Min)
495mm	480mm	835mm	425mm	435mm	455mm	605mm	310mm	410mm/480mm

Back Height from Seat	Back Lumbar Height	Lumbar Adjustment Range	Width Between Arms	Arm to Floor	Arm Height from Seat	Seat Pan Angle	Back Recline Angle
230mm	/	/	/	/	/	3°	110°



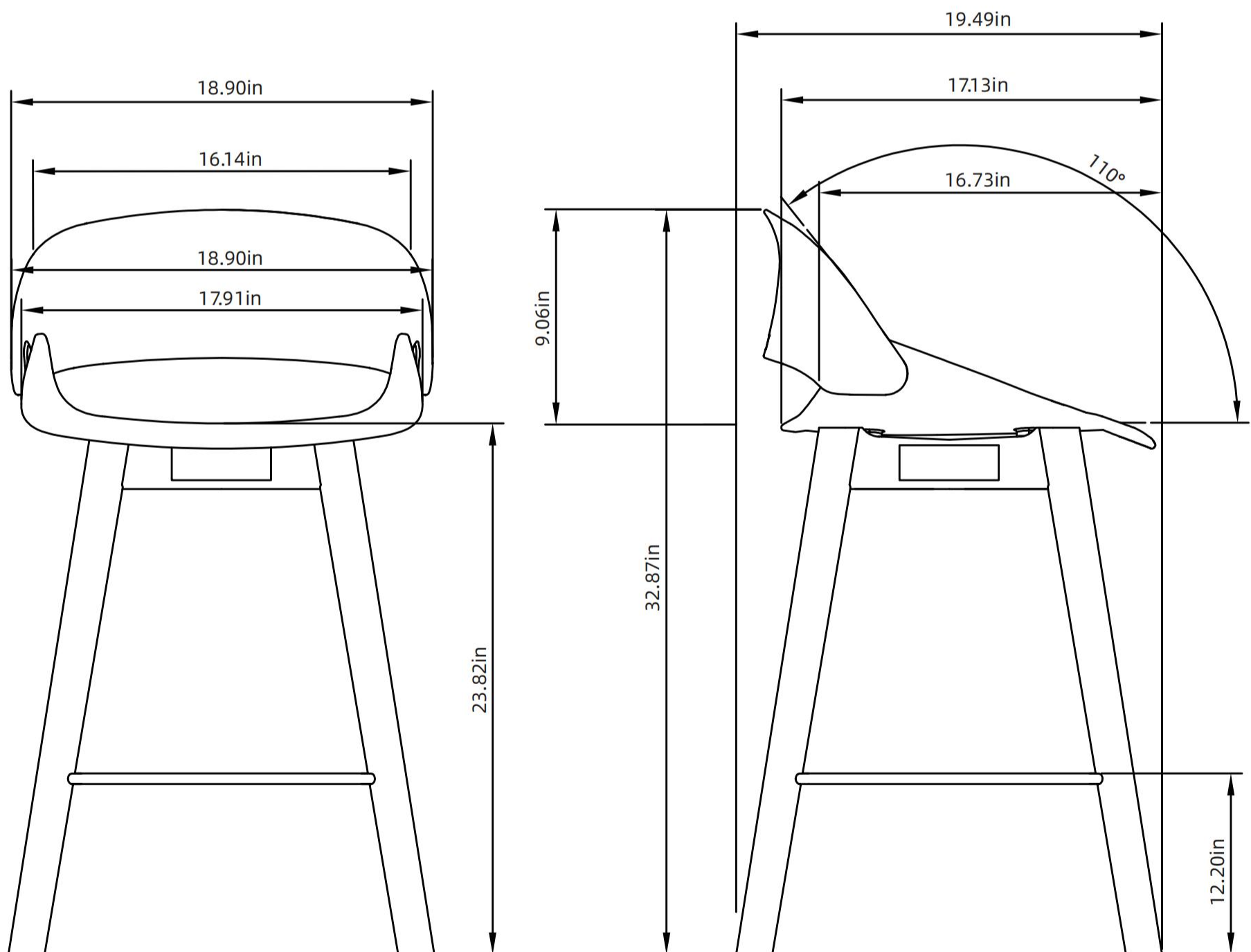
Remark: Seat height from floor, back height from seat and arm height from seat are measured when there is no load on the chair.



Chair Specification | DUCKY CDK50MS

Overall Depth	Overall Width	Overall Height	Seat Depth	Functional Seat Depth	Seat Width	Seat Height from Floor	Ring Height from Floor	Back Width (Max and Min)
19.49in	18.90in	32.87in	16.73in	17.13in	17.91in	23.82in	12.20in	16.14in/18.90in

Back Height from Seat	Back Lumbar Height	Lumbar Adjustment Range	Width Between Arms	Arm to Floor	Arm Height from Seat	Seat Pan Angle	Back Recline Angle
9.06in	/	/	/	/	/	3°	110°



Remark: Seat height from floor, back height from seat and arm height from seat are measured when there is no load on the chair.

